



# JOSEF KIHBERG

## BATTERY- POWERED TOP STAPLER

**c.561B**  
**c.561B22**

**a.560B**  
**a.560B22**

Patent pending

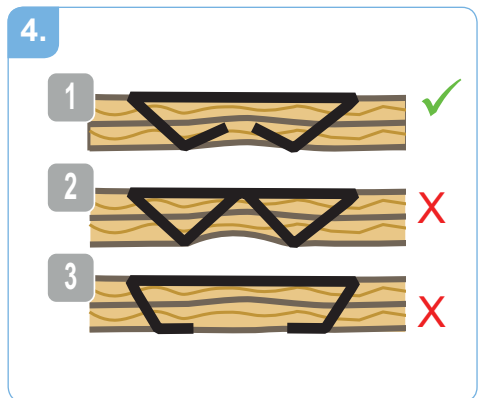


## QUICK START GUIDE


# Package content



# Operation

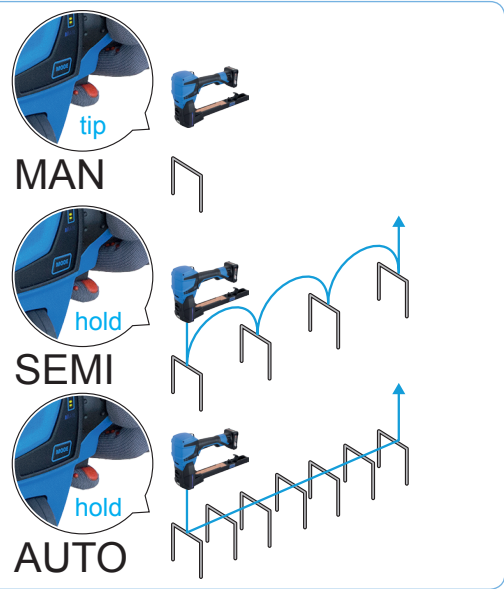


# Operating MODE



MAN  
SEMI  
AUTO

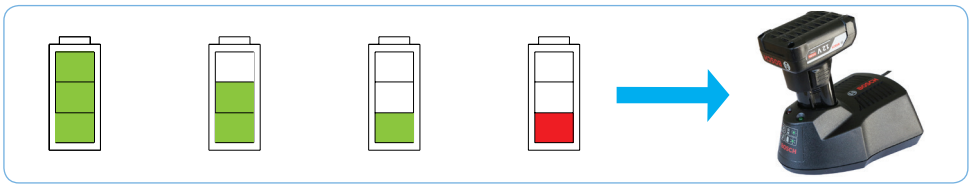
MODE





tip  
hold  
hold

MAN  
SEMI  
AUTO

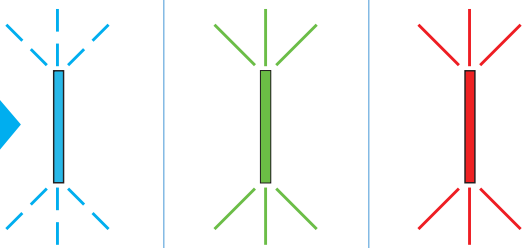

# LED indications



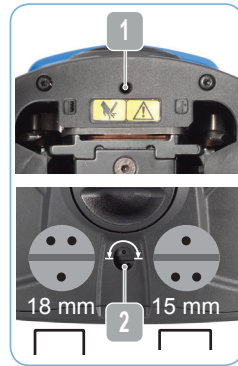
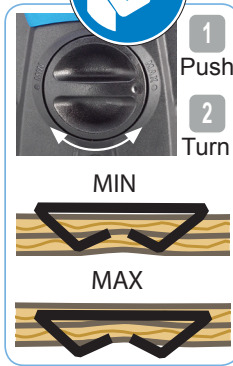
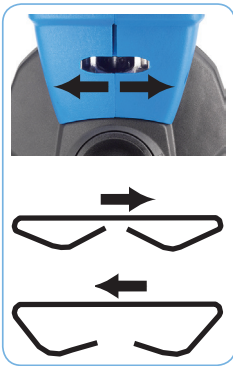
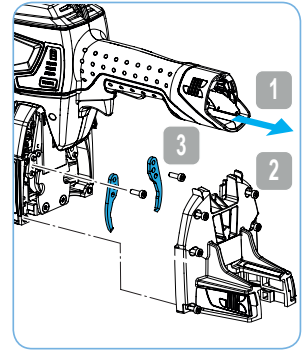
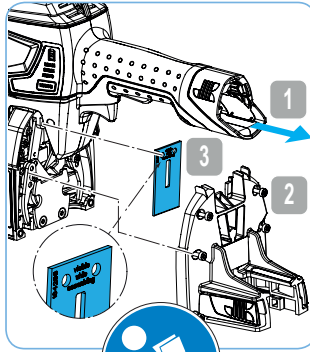
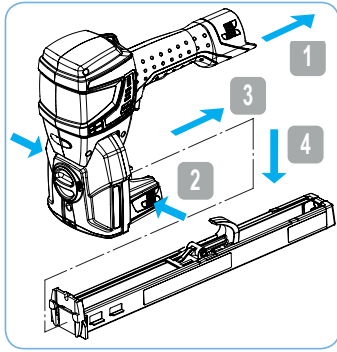
Full  
3/4  
1/2  
Low (Red)



c.561B



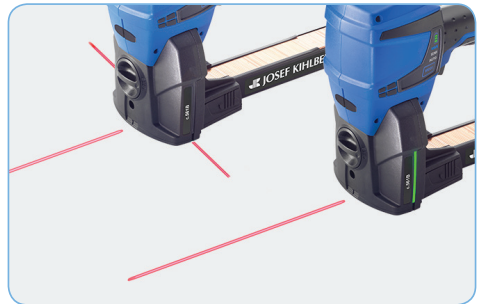
# Cleaning and replacing wear parts / adjustments



## Transport



## Optional features



**JOSEF KIHMBERG**

Josef Kihlberg AB  
Industrigatan 37B  
544 50 Hjo  
Sweden



[www.kihlberg.com](http://www.kihlberg.com)